

Deluxe Portable Spot Cooler - Air Cooled

MODEL: 20AC	1211	1811	2412	3612	3632	3634	6012	6032	6034
Cooling Capacity ²	11,800	16,800	24,020	36,050	36,050	36,050	60,050	60,050	60,050
Voltage (V/Phase) at 60Hz ¹	115/1		208-230/1	208-230/1	208-230/3	460/3	208-230/1	208-230/3	460/3
Amps ⁶	10.4	14.1	14.9	18.1	17.2	8.7	32.0	20.4	14.8
Watts ⁶	1180	1670	2700	3620	3620	3620	6000	6000	6000
In Rush Current (Amps)	60	75	68	113	93	60	178	162	87
Plug Type	5-15P	5-20P	6-20P	6-30P	L15-30P	L16-20P	6-50P	L15-30P	L16-20P
EER ⁴	10.0	10.0	8.9	10.0	10.0	10.0	10.0	10.0	10.0
Compressor HP	1	1 1/2	2	3	3	3	5	5	5
Compressor RLA	9.5	12.3	10.5	13.6	8.8	5.0	27.6	18.1	9.0
Compressor LRA	50	63	48	83	77	35	158	137	62
Evap CFM ³	400	600	810	1200	1200	1200	1950	1950	1950
Evap Motor HP	1/8	1/8	1/3	1/3	1/3	1/3	1	1	1
Evap Motor Watts	180	210	330	375	375	375	550	550	550
Condenser CFM ³	580	930	1010	1390	1390	1390	2200	2200	2200
Condenser Motor HP	1/8	1/8	1/3	1	1	1	1	1	1
Condenser Motor Watts	200	280	350	460	460	460	750	750	750
Condensate	5 Gallon Condensate Tank - STANDARD (Pump Optional)						Pump -STANDARD (20 ft. Lift)		
Sound Level ⁵	54	60	65				69	78	
R-410A Charge Oz.	18	40	37				66	80	
(A) Height with Casters (in.)	36 1/2	45 1/2		50-1/4			52 1/4		
(B) Width (in.)	20	24		28					
(C) Depth (in.)	25	30		35			39		
(D) Height w/o Casters (in.)	32 1/2	40 1/2		45			46		
Net Weight (lb.)	180	260	260	365		380	485	485	515
Shipping Weight (lb.)	200	285	285	405		420	525	525	555
Shipping Volume (cu. ft.)	19	28		40			48		



SPECIFICATIONS SUBJECT TO CHANGE WITHOUT NOTICE

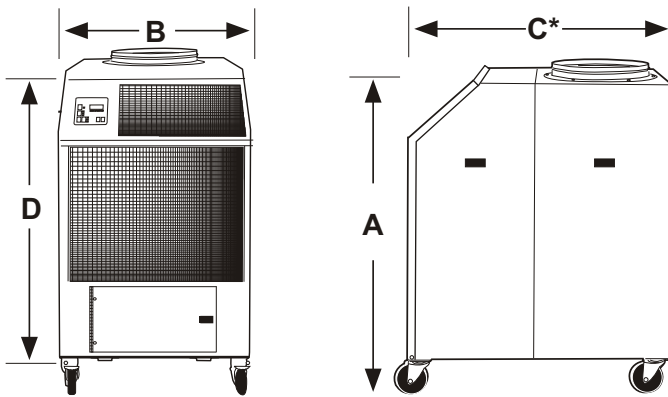
NOTES

1. Dedicated Circuit and Time Delay fuse or circuit breaker are recommended
2. Cooling Capacity is total BTUH at 80°DB/67° WB return air, 95° DB Condenser Air
3. CFM with free discharge
4. Cooling EER is determined at high fan speed, with condenser air ducted into another area
5. Sound Pressure, dB at 5 feet, commercial operation
6. Amps & Watts at 208 Volts (208-230 V Models)

COOLING AMBIENT*

OPERATING RANGE 65° TO 105°

* May COOL down to 55° if equipped with hot gas bypass (factory installed)



*** CONDENSER PLENUM ALLOWANCES**

For Size 12, 18 and 24 Models, add 13 inches to Dim C
 For Size 36 and 60 Models, add 17 inches to Dim C

NOT APPROVED FOR OUTDOOR USE

WARRANTY

ALL OCEANAIRE PRODUCTS ARE COVERED BY THE OCEANAIRE LIMITED WARRANTY

1 YEAR ON THE FULL PRODUCT

PLUS, 4 ADDITIONAL YEARS FOR THE COMPRESSOR (RESTRICTIONS APPLY)

