

Portable Spot Cooler - Air Cooled

COOLING CAPACITY	12,000 BTUH
VOLTAGE	115 V
COOLING AMPS	12.0 A
COOLING WATTS	1180 W
IN RUSH AMPS	63 A
EER	10.0
COMPRESSOR TYPE	ROTARY, 1 HP
COMPRESSOR RLA / LRA	9.5 A / 50 A
EVAPORATOR BLOWER	CENTRIFUGAL
EVAP CFM HIGH/LOW	400/320 CFM
EVAP MOTOR HP / AMPS	1/8 HP / 1.7 A
EVAP MOTOR WATTS	130 W
CONDENSER BLOWER	CENTRIFUGAL
COND CFM	490 CFM
COND MOTOR HP / AMPS	1/8 HP / 1.4 A
COND MOTOR WATTS	150 W
POWER CORD, 10 FT	14/3 (WITH LCDI)
PLUG TYPE	5-15P
CONDENSATE TANK CAPACITY	2 GALLON
REFRIGERANT	R-410A
CHARGE	18 OZ.
NET WEIGHT	135 lb
SHIPPING WEIGHT	160 lb
SHIPPING VOLUME	14 cu. Ft



SPECIFICATIONS SUBJECT TO CHANGE WITHOUT NOTICE

NOTES

1. Dedicated Circuit and Time Delay fuse or circuit breaker are recommended
2. Cooling Capacity is total BTUH at 80°DB/67° WB return air, 95° DB Condenser Air
3. CFM with free discharge
4. Cooling EER is determined at high fan speed, with condenser air ducted into another area
5. Sound Pressure, dB at 5 feet, commercial operation
6. Amps & Watts at 208 Volts (208-230 V Models)

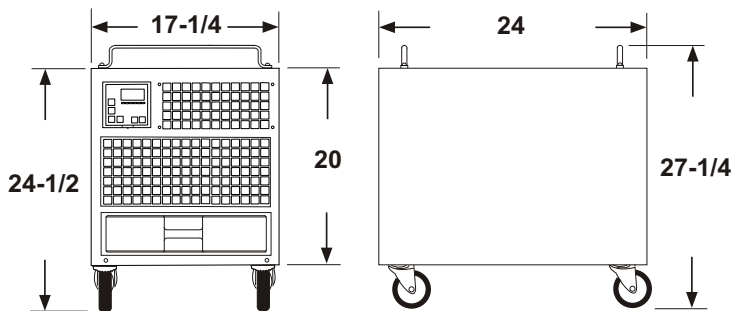
COOLING AMBIENT*

OPERATING RANGE 65° TO 105°

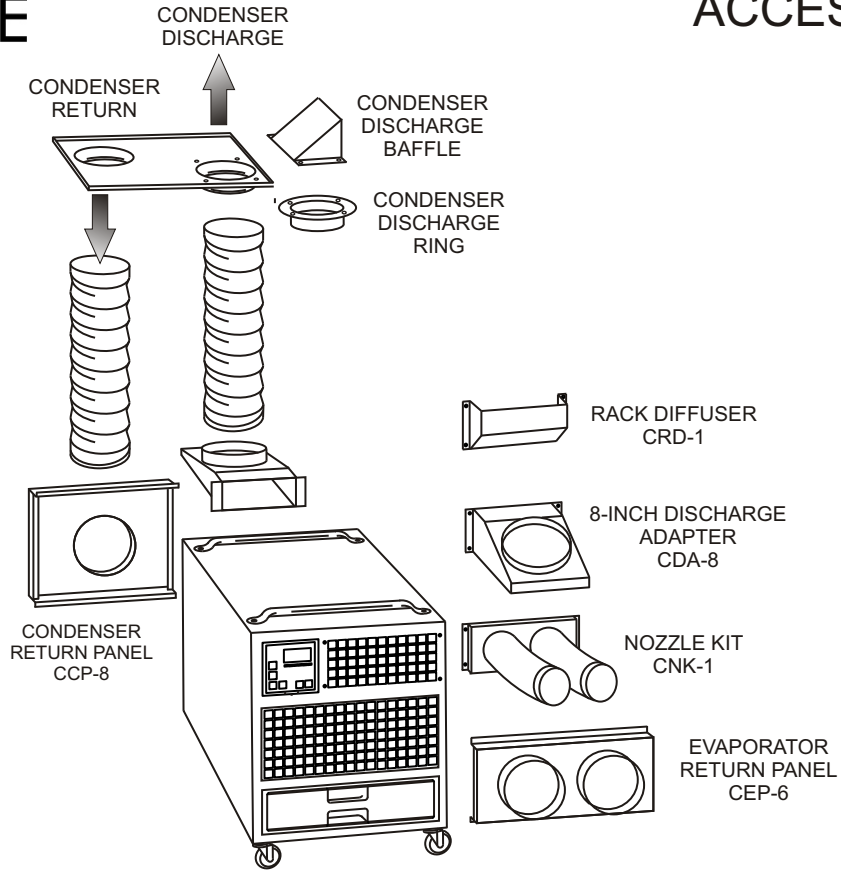
* May COOL down to 55° if equipped with hot gas bypass (factory installed)



DIMENSIONS



AIR COOLED



INSTALLATION KITS

